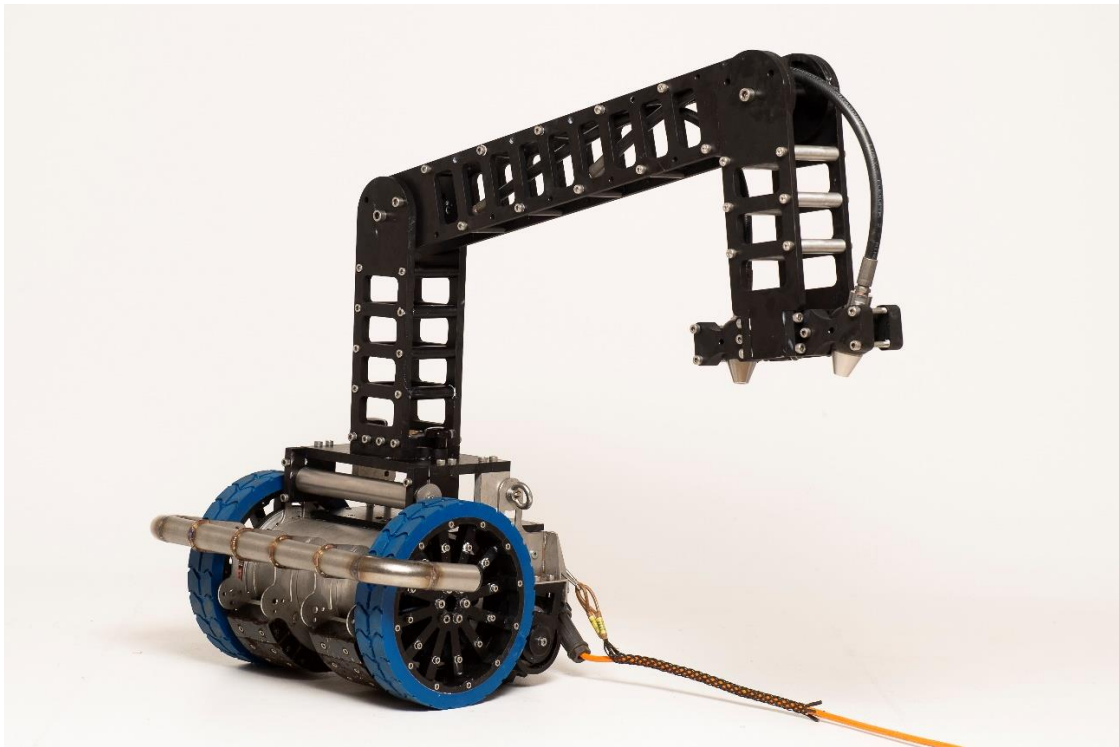




## X1 Cargo Hold cleaning robot

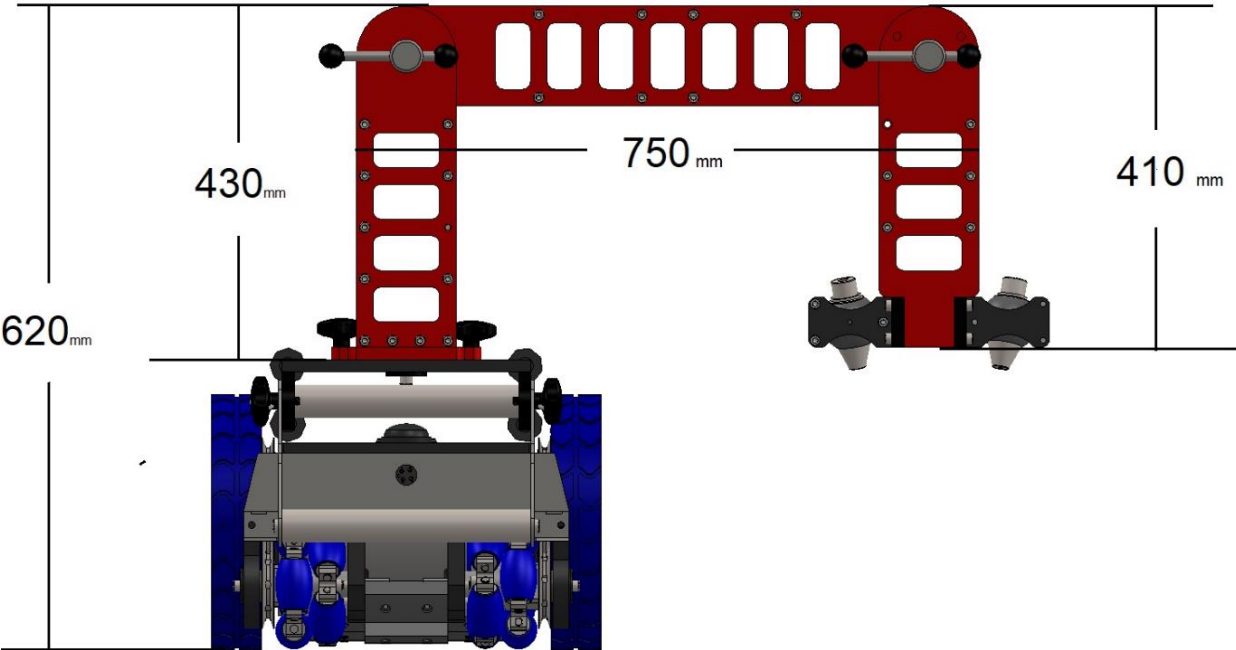
### Arm attachment



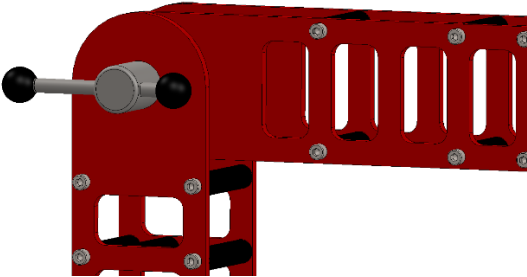
Double adjustable  
rotating nozzle



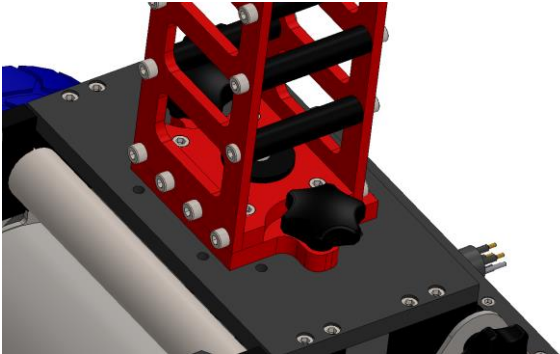
Dimensions:



Quick adjustment system:

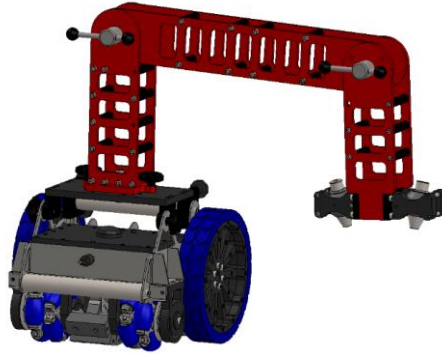


Rotation / position system system:

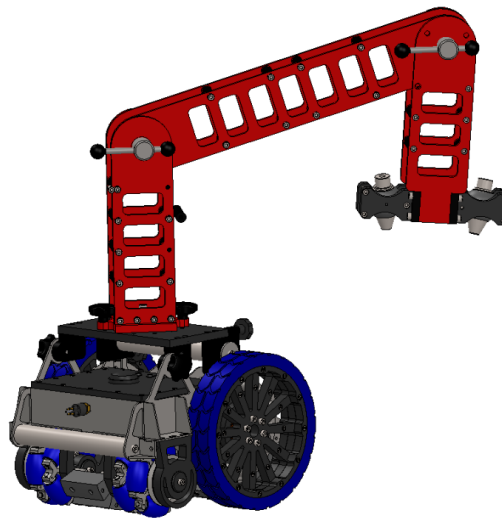


Positions :

Next to frame cleaning



Top of frame cleaning



Hard to reach area cleaning

